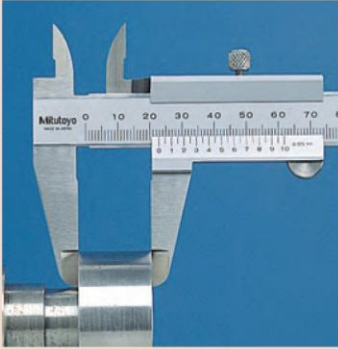
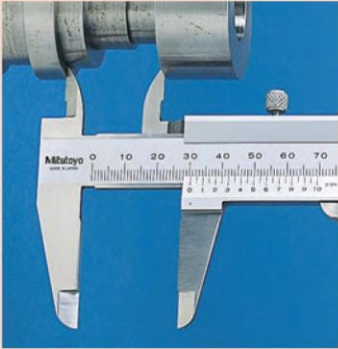


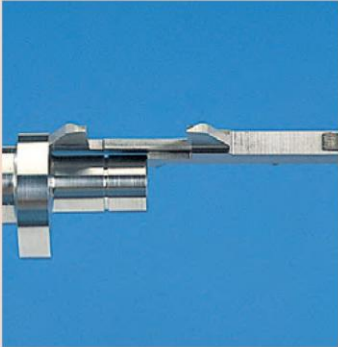
"Quadri" (4 way) Measurement Measurement Applications



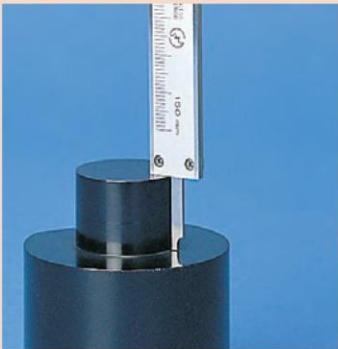
OD measurement



ID measurement



Step measurement



Depth measurement

SPECIFICATIONS

Metric

Range	Order No.	Accuracy	Graduation	Remarks
0 - 150mm	530-102	±0.05mm	0.05mm	∅ 1.9mm Depth bar
0 - 150mm	530-101	±0.05mm	0.05mm	—
0 - 150mm	530-320	±0.05mm	0.05mm	Carbide-tipped jaws for OD measurement
0 - 150mm	530-335	±0.05mm	0.05mm	Carbide-tipped jaws for OD & ID measurement
0 - 150mm	530-122*	±0.03mm	0.02mm	High accuracy model
0 - 200mm	530-108	±0.05mm	0.05mm	—
0 - 200mm	530-321	±0.05mm	0.05mm	Carbide-tipped jaws for OD measurement
0 - 200mm	530-123*	±0.03mm	0.02mm	High accuracy model
0 - 300mm	530-109	±0.08mm	0.05mm	—
0 - 300mm	530-322	±0.08mm	0.05mm	Carbide-tipped jaws for OD measurement
0 - 300mm	530-124*	±0.04mm	0.02mm	High accuracy model: ±0.04mm
0 - 600mm	530-501**	±0.1mm	0.05mm	—
0 - 1000mm	530-502**	±0.15mm	0.05mm	—

*Graduation: 0.02mm

**No depth measuring bar

Metric/Inch with metric/inch dual scale

Range	Order No.	Accuracy	Vernier Graduation		Remarks
			Lower Scale	Upper Scale	
0 - 150mm / 0 - 6"	530-104	±0.05mm	0.05mm	1/128"	—
0 - 150mm / 0 - 6"	530-316	±0.05mm	0.05mm	1/128"	—
0 - 150mm / 0 - 6"	530-312*	±0.03mm	0.02mm	.001"	High accuracy model
0 - 200mm / 0 - 8"	530-114	±0.05mm	0.05mm	1/128"	—
0 - 200mm / 0 - 8"	530-118*	±0.03mm	0.02mm	.001"	High accuracy model
0 - 300mm / 0 - 12"	530-115	±0.08mm	0.05mm	1/128"	—
0 - 300mm / 0 - 12"	530-119*	±0.04mm	0.02mm	.001"	High accuracy model

*Graduation: 0.02mm

Inch with inch/inch dual scale

Range	Order No.	Accuracy	Vernier Graduation		Remarks
			Lower Scale	Upper Scale	
0 - 6"	530-105	±.0015"	.001"	1/128"	—
0 - 8"	530-116	±.0015"	.001"	1/128"	—