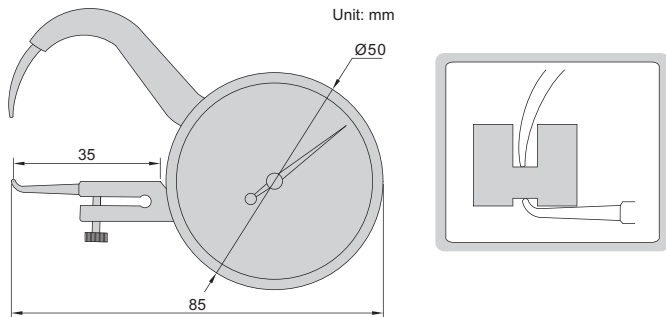


THICKNESS GAGE WITH POINTED TIPS



2866-10

- Pointed tips fit into small grooves and recesses



Code	Range	Graduation	Accuracy
2866-10	0-10mm	0.05mm	±0.1mm