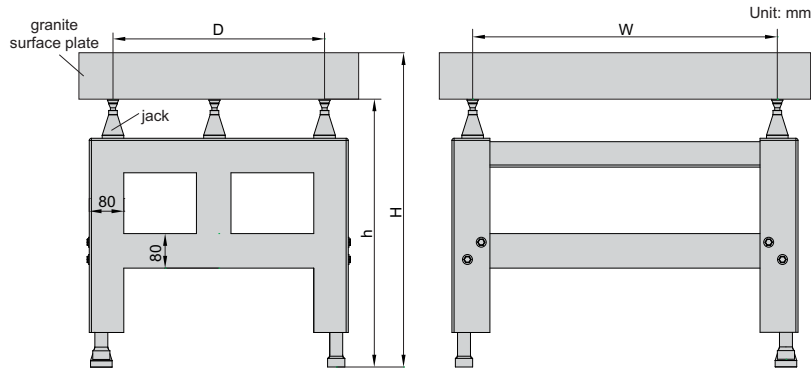


# STAND FOR GRANITE SURFACE PLATE



6902-64A

- For medium size granite surface plates
- Adjusting range of jacks: 25mm
- One foot on the bottom is adjustable

Code	For granite surface plate	W	D	H (with granite surface plates)	h (without granite surface plates)
6902-64A	630x400x80mm (code 6900-064 and 6900-164)	352	224	755-780	675-700
6902-66A	630x630x100mm (code 6900-066 and 6900-166)	352	352	755-780	655-680
6902-85A	800x500x100mm (code 6900-085 and 6900-185)	448	280	755-780	655-680
6902-106A	1000x630x140mm (code 6900-0106 and 6900-1106)	560	352	735-760	595-620
6902-101A	1000x1000x150mm (code 6900-0101 and 6900-1101)	560	560	735-760	585-610
6902-128A	1200x800x160mm (code 6900-0128 and 6900-1128)	672	448	735-760	575-600
6902-161A	1600x1000x180mm (code 6900-0161 and 6900-1161)	896	560	735-760	555-580

(mm)